

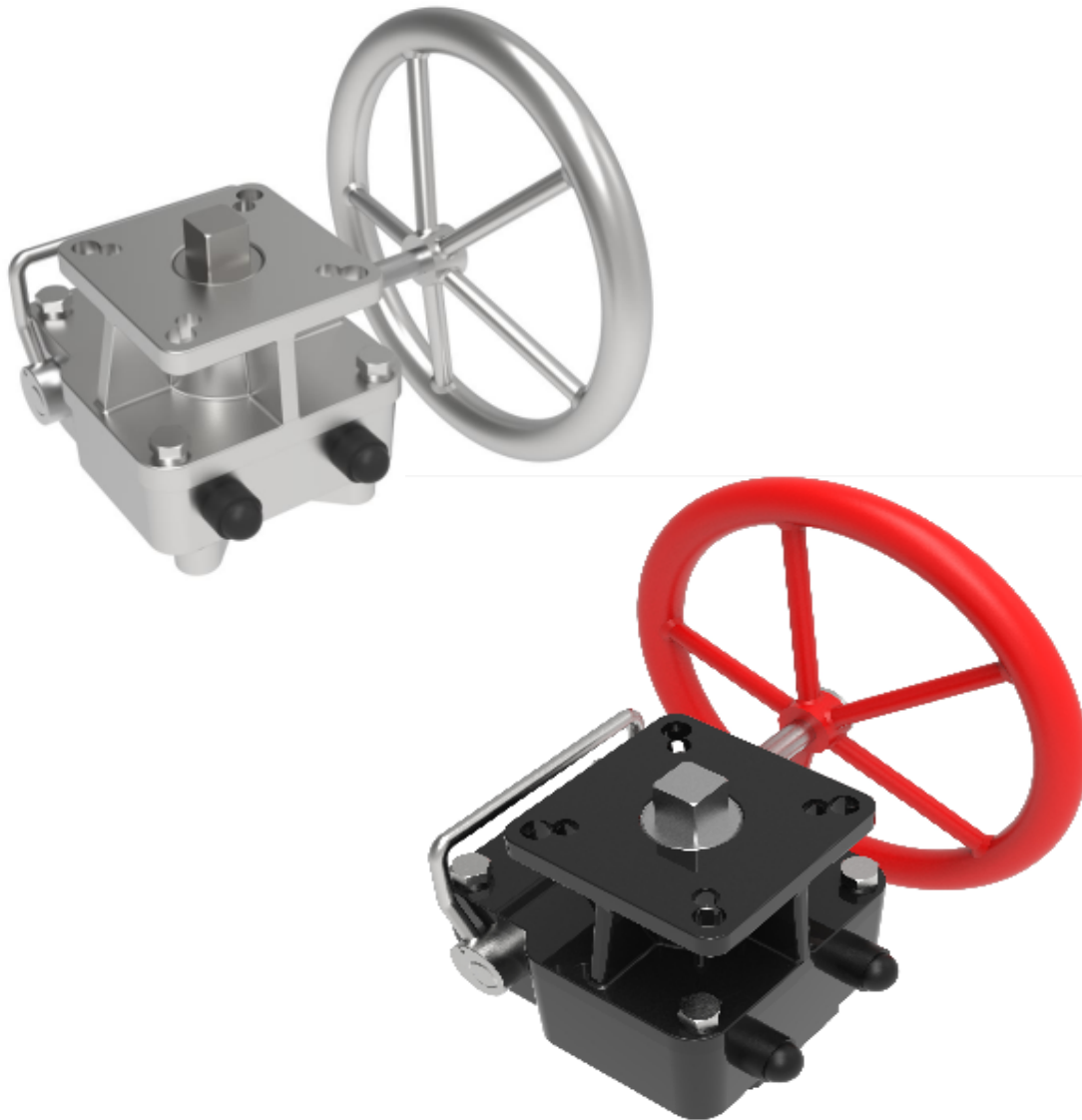
NUTORK[®]

Actuators & Valves



Declutchable Wormgear Manual Override

Aluminum Alloy & Stainless Steel Body
IP67 Enclosure
Output Torque: 180 ~ 3800Nm



Declutchable Wormgear Manual Override

NUTORK®

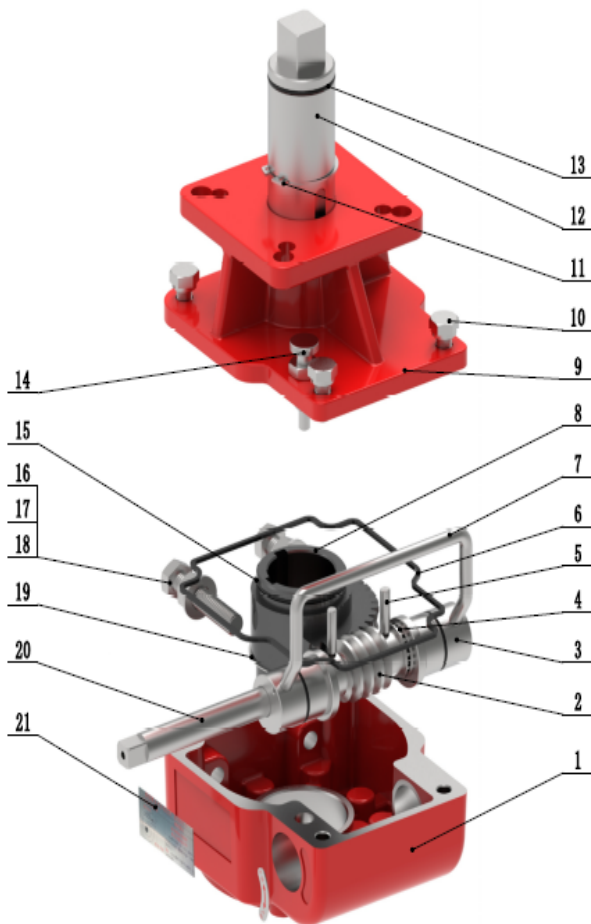
Features:

* ISO5211 Compliant upper and lower mounting patterns.

* ISO5211 Compliant upper male square drive provide direct mount to ISO compliant actuators without adapters. and female “ double square ” lower drive provide direct mount to ISO compliant valves.

* Roller thrust bearings on worm gear for improve efficiency

Part List:



22	Handwheel	1	Carbon Steel / 316SS
21	Nameplate	1	304SS
20	Handwheel Shaft	2	45# / 316SS
19	Gasket	1	304SS
18	Gasket	2	304SS
17	Nuts	2	304SS
16	Bolts	2	304SS
15	O-ring	2	NBR
14	Position Lock Bolt	1	304SS
13	O-ring	1	NBR
12	Output Shaft	1	45# / 316SS
11	Circlip	1	304SS
10	Bolts	4	304SS
9	Upper Cover	1	Die-cast Aluminum / 316SS
8	Wormgear	1	QT450
7	Switch Handle	1	304SS
6	O-ring	1	NBR
5	Pin	2	45# / 304SS
4	Bearing	1	Bearing steel
3	Eccentric sleeve	2	45# / 304SS
2	Worm	1	45# / 304SS
1	Body	1	Die-cast Aluminum / 316SS
No.	Name	Qty.	Material

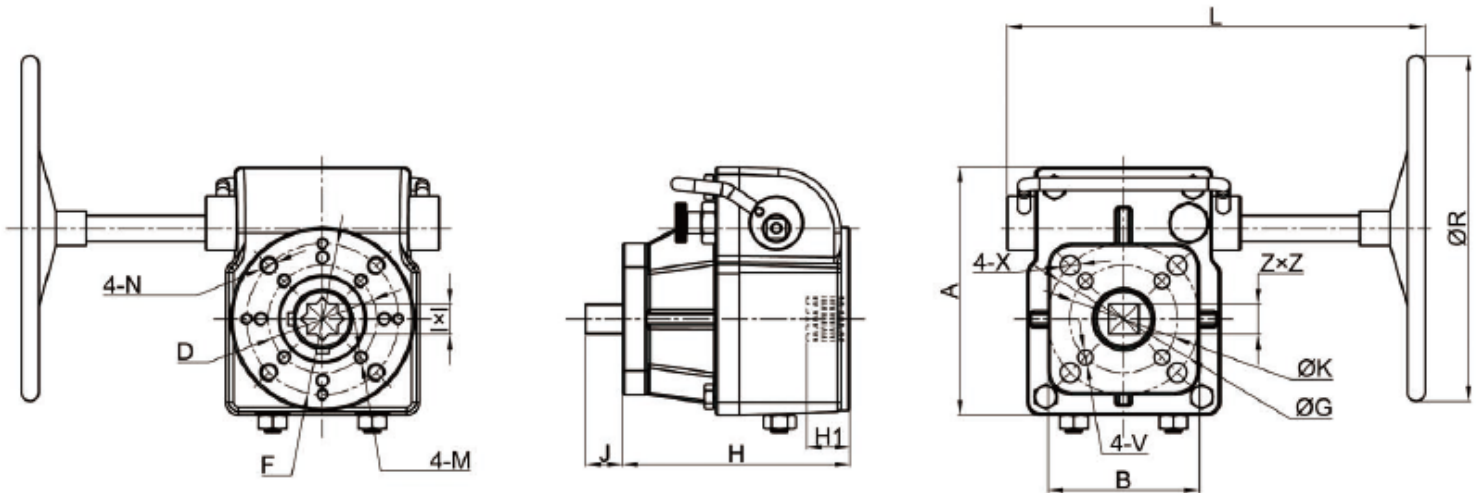
Performance Data Table of Manual Override

Model	Gear Ratio	Max Output Torque (Nm)	Weight (Kg)	Double Acting Actuator Model	Single Acting Actuator Model
MOA/S 18	38:1	180	3	NKD-040~NKD-092	NKS-040~NKS-092
MOA/S 30	37:1	320	4.5	NKD-092~NKD-125	NKS-105~NKS-125
MOA/S 70	38:1	680	7	NKD-140	NKS-125~NKS-140
MOA/S 120	66:1	1200	13.7	NKD-160	NKS-160~NKS-190
MOA/S 200	54:1	2100	22	NKD190~NKD-210	NKS-190~NKS-210
MOA/S 300	58:1	3000	32.2	NKD-240	NKS-210~NKS-240
MOA/S 380	66:1	3800	38	NKD-270	NKS-270

Declutchable Wormgear Manual Override

NUTORK®

Dimension Drawing



Model	L	A	B	Φk	ΦG	Z	X	H	H1	J	D	F	M	N	I	ΦR
MOA/S 18	166	115	70	Φ50	Φ70	14×14	9	105	20	17	50	70	4-M6	4-M8	14×14	180
MOA/S 30	204	135	94	Φ70	Φ102	17×17	11	114	22	16	70	102	4-M8	4-M8	17×17	200
MOA/S 70	235.5	160	113	Φ102	Φ125	22×22	13	133	28	22	102	125	4-M8	4-M10	22×22	280
MOA/S 120	312	201	130	Φ102	Φ125	27×27	13	166	32	30	102	140	4-M10	4-M16	27×27	320
MOA/S 200	344	243	165	Φ140	Φ165	36×36	23	182	40	39	-	140	-	4-M20	36×36	400
MOA/S 300	375	284	165	-	Φ165	46×46	23	201	50	48	-	165	-	4-M20	46×46	500
MOA/S 380	375	286	316	-	Φ165	46×46	23	201	50	48	-	165	-	4-M20	46×46	600

Order Information

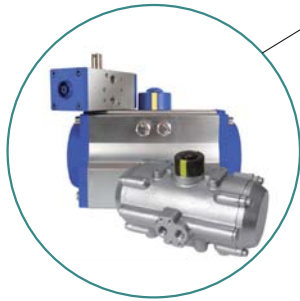
Top Mounting Connection

Bottom Mounting Connection

Product Model	Top Male Square	Top ISO Pattern	Bottom Female Double	Bottom ISO Pattern	Hand wheel (mm)
MOA/S18: 180Nm	□14×17	F05/F07	◇14×20	F05/F07	180
MOA/S30: 320Nm	□11×16	F07/F10	◇17×22	F07/F10	200
MOA/S70: 680Nm	□17×22	F10/F12	◇22×28	F07/F12	280
	□17×22	F10/F12	◇22×28	F10/F12	280
MOA/S120: 1200Nm	□27×30	F10/F14	◇27×32	F10/F14	320
	□27×30	F12	◇27×32	F12	320
MOA/S200: 2100Nm	□36×39	F14	◇36×40	F14	400
	□36×39	F16	◇36×40	F16	400
	□46×48	F14	◇46×50	F14	500
MOA/S300: 3000Nm	□46×48	F16	◇46×50	F16	500
	□46×48	F16	◇46×50	F16	600

Dimensions are only for reference. Nutork Corp. reserves the right to change the parameters without prior notice.

NUTORK CORP. manufactures a wide range of pneumatic actuators, electric actuators and the accessories of pneumatic actuator (limit switchbox, solenoid valve, manual override ---etc.) for quarter turn valves



Rack & Pinion Type Pneumatic Actuator.
(Certificated by CE-ATEX/SIL3)
Max. Output Torque: 9340Nm



Scotch Yoke Type Pneumatic & Hydraulic Actuator.
(Certificated by CE-ATEX/SIL3)
Max. Output Torque 293800Nm



NTQ Series Electric Actuator
IP67/IP68(30M@24hrs)Enclosure & EExdIIBT6Max. Output Torque 6000Nm
Approved by SIL3/IP68/MD/LVD/EMC.



NTE Series Electric Actuator
IP67/IP68(30M@24hrs)
EnclosureMax. Output Torque 6000Nm
Approved by SIL3/IP68/MD/LVD/EMC.



Limit Switchbox IP67/IP68(50M@72hrs)
Enclosure & EExdIIBT6/EEExdIICT6



Solenoid Valve 3/2NC & 5/2 Way, Static O-ring Sealing Design.
Aluminum & 316SS Body
IP67 & EExdIIBT6/EEExdIICT6



Air Filter Regulator Aluminum Body with Vinyl Paint & 316SS Body.
Size: 1/4" ~ 1"



Manual Override Aluminum & Cast Iron & Ductile Iron Body
Max Output Torque 70000Nm



Ball valve (Floating ball design),
We can provide different pressure rating/
connection type/ operation mode.



Concentric Soft Seated Butterfly Valve
High Performance Double Eccentric Butterfly Valve
High Performance Triple Offset Metal Seated Butterfly Valve
We can provide different pressure rating/ connection type/ operation mode.